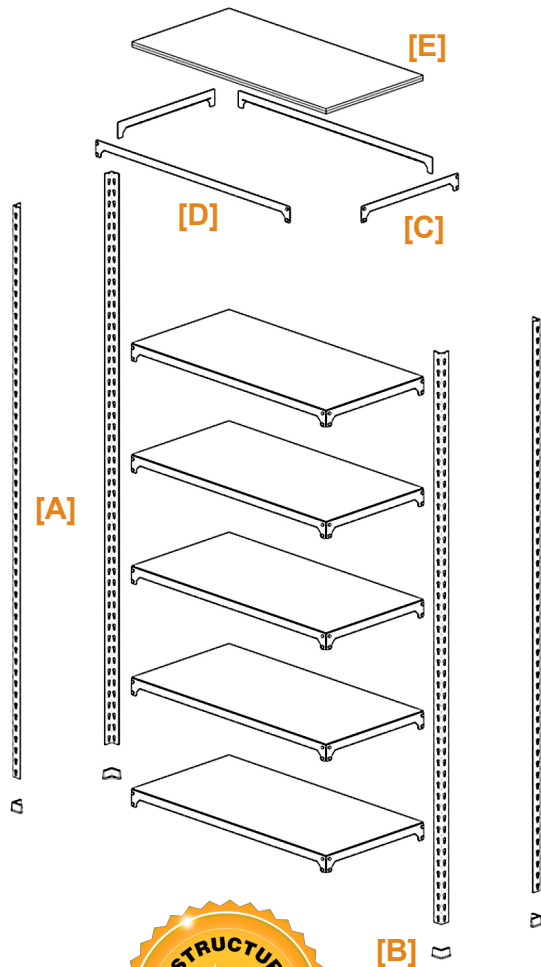


RAX2 MEDIUM DUTY SHELVING



See website for warranty terms and conditions



SH=LVINGDirect

Thank you for purchasing your ShelvingDirect® shelving

If you have any questions regarding the assembly or contents of your order, please call ShelvingDirect® on **0121 508 5877** Monday to Friday 8.30am–5.30pm or email sales@shelvingdirect.co.uk

ShelvingDirect® is a trading name of Rotadex Systems Ltd, Systems House, Central Business Park, Mackadown Lane, Birmingham B33 0JL.



Before you begin...

- ✓ Ensure that you have sufficient space to work and allow at least **ONE HOUR** for assembly, particularly if you have never built a unit before. We recommend **two-person** assembly.
- ✓ Always use a rubber mallet for assembly and **NEVER** a metal hammer. Please note: **force is required!** The components are designed to fit tightly together so that they don't wobble or break apart, so a light tap will **NOT** locate the parts sufficiently.
- ✓ We recommend wearing gloves when assembling.

Assembly instructions

STEP 1: Arrange the four uprights [A] so that the “keyholes” have the larger aperture uppermost:



STEP 2: Begin by attaching the heavy duty plastic feet [B] to the base of the upright posts.

STEP 3: With one person holding two uprights parallel, join them by adding a side beam [C] near the top (at the desired level for the uppermost shelf) by striking its lugs firmly down into the “keyholes” of the uprights using a rubber mallet. Force is required. **NOTE: the lugs do not need to go completely to the bottom of the keyholes.** Pinch the side beam and upright together using thumb and forefinger directly between the lugs to ensure they are located before hammering.

STEP 4: Add a second side beam [C] near the bottom and at the desired level for the lower shelf level.

STEP 5: Add the remaining two side beams [C], spacing them as you require. Using this first sub-assembly as a ‘spacing guide’, repeat this process with the other two uprights to create another “ladder”. These form the left and right sides of your shelving unit.

STEP 6: Take a cross beam [D] and join the two “ladders” together by attaching it near the top, at the same height as the uppermost side beams. Repeat at the bottom.

STEP 7: Add cross beams [D] to the back of the unit too, and fit all remaining cross beams ensuring they are located at the same height as their corresponding side beams [C].

STEP 8: Lastly, add the shelf levels [E]. You will find it easier to swivel the shelves in at an angle. The shelves are slightly smaller than the space they fill, to aid assembly.

NOTE: Your unit may feature a different number of shelf levels, depending on the individual product(s) purchased.

NEED HELP? WATCH THE ASSEMBLY VIDEO ON OUR WEBSITE www.shelvingdirect.co.uk